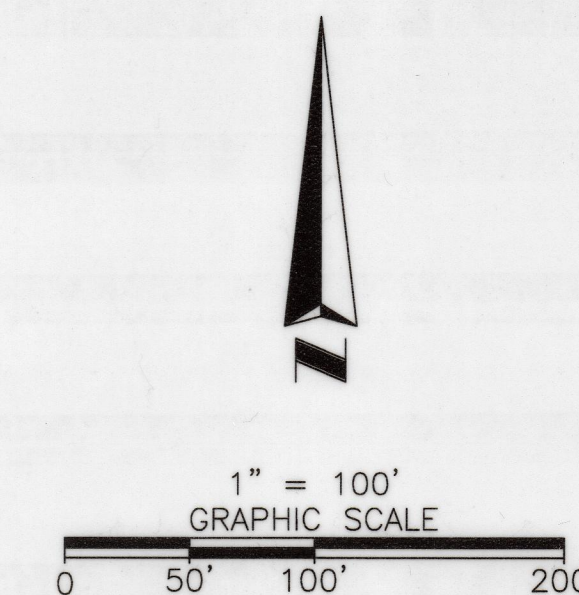


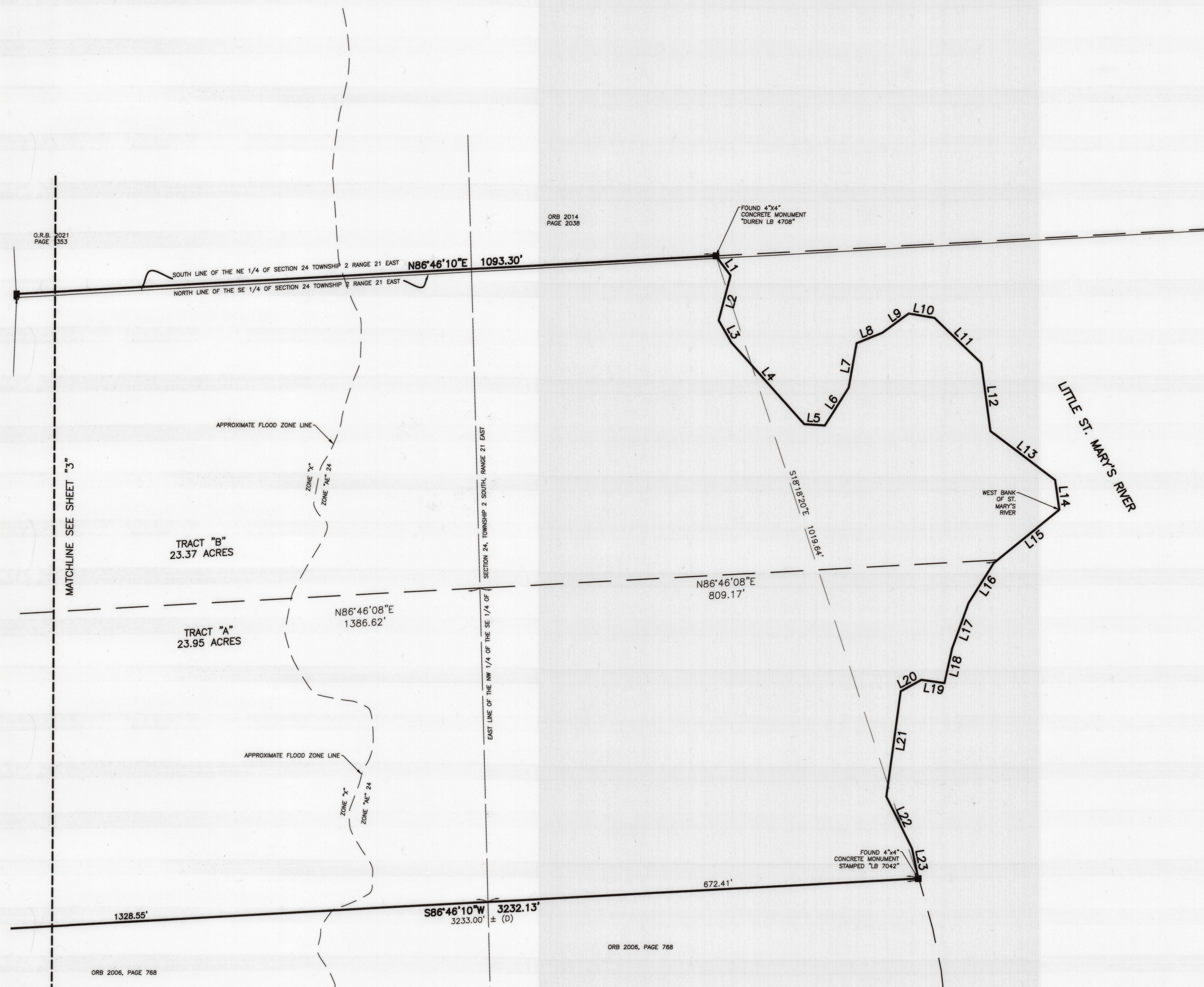
RIVER RUN

BEING A PORTION OF SECTION 24, TOWNSHIP 2 SOUTH, RANGE 21 EAST
OF THE PUBLIC RECORDS OF BAKER COUNTY, FLORIDA



LEGEND & ABBREVIATIONS:

- = FOUND 4"x4" CONCRETE MONUMENT
- = FOUND 1/2" IRON PIPE
- = SET 5/8" IRON ROD STAMPED "SSMC LB2108"
- = SET MAG NAIL AND DISK STAMPED "SSMC LB2108"
- ORB = OFFICIAL RECORDS BOOK
- (D) = DEED
- (P) = PLAT
- LB = LICENSED BUSINESS
- PLS = PROFESSIONAL LAND SURVEYOR
- SSMC = SOUTHEASTERN SURVEYING AND MAPPING CORP.
- PRM = PERMANANT REFERENCE MONUMENT



LINE #	BEARING	LENGTH
L1	S37°05'07"E	37.93'
L2	S14°28'23"W	72.57'
L3	S29°42'38"E	39.54'
L4	S42°02'55"E	170.99'
L5	S86°15'56"E	32.29'
L6	N31°56'35"E	69.77'
L7	N09°50'22"E	70.36'
L8	N67°53'51"E	43.40'
L9	N53°44'18"E	50.93'
L10	S80°25'30"E	40.59'
L11	S46°11'36"E	101.67'
L12	S07°58'01"E	107.08'
L13	S53°04'46"E	126.83'
L14	S08°17'35"E	46.72'
L15	S50°47'25"W	131.87'
L16	S32°09'59"W	73.14'
L17	S19°38'56"W	74.83'
L18	S12°15'24"W	55.23'
L19	N82°03'48"W	36.36'
L20	S60°50'25"W	36.92'
L21	S07°34'58"W	165.22'
L22	S26°46'28"E	90.19'
L23	S12°09'37"E	47.57'

PREPARED BY:

**SOUTHEASTERN SURVEYING
AND MAPPING CORPORATION**
8641 Baypine Road, Suite 5
Jacksonville, Florida 32256
(904) 737-5990 Fax (904) 737-5995
e-mail: info@southeasternsurveying.com
Certification Number LB2108

